

Technical Manual

JBL M552

2-WAY STEREO/3-WAY MONO
VARIABLE ELECTRONIC CROSSOVER



SPECIFICATIONS

ELECTRICAL SPECIFICATIONS:

- Crossover Frequencies:
 - Stereo Mode: Low/High: 180 to 2 kHz (Divisible by 10)
 - Mono Mode: Low/Mid: 180 to 2 kHz (Divisible by 10)
 - Mid/High: 800 to 9 kHz
- Maximum Input Level: +24 dBu (XLR balanced)
- Maximum Output Level: +27 dBu; +25 dBm (XLR balanced)
- Input Impedance:
 - Balanced: 10 kOhms
 - Unbalanced: 20 kOhms
- Output Impedance:
 - Balanced: 102 Ohms
 - Unbalanced: 51 Ohms

ELECTRICAL SPECIFICATIONS: (cont'd)

- Noise: Less than -90 dBu (LF); -88 dBu (HF)
- THD + Noise: Less than 0.004% (in band)
- Frequency Response: 10 Hz (-0.5 dB) to 75 kHz (-3 dB)

PHYSICAL SPECIFICATIONS:

- Enclosure Dimensions: SEE BELOW
- Shipping Weight: 6 lbs. (2.7 kg.)

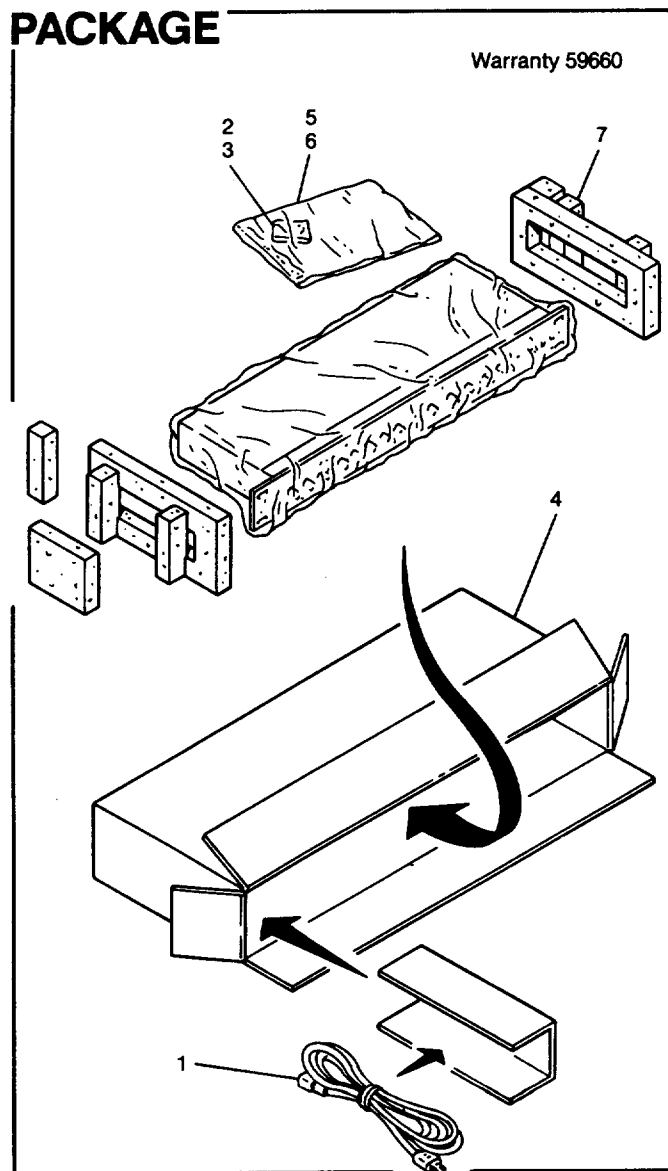
WARRANTY INFORMATION:

- Refer to the Warranty Statement packed with each product.

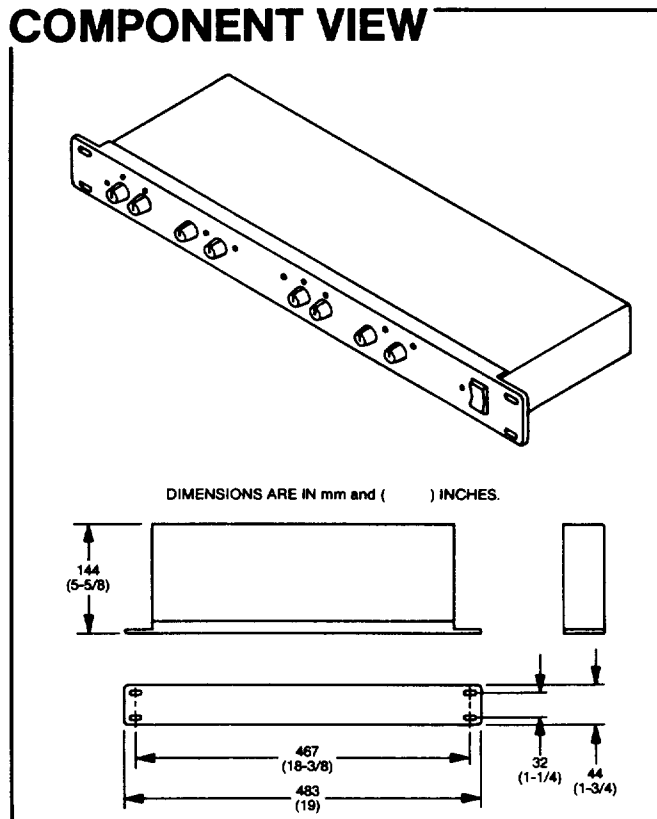
ACCESSORY:

Model SC8 Security Cover

PACKAGE



COMPONENT VIEW



COMPONENT PARTS LIST

ITEM	PART NO.	QTY	DESCRIPTION
1	36-0061	1	US/JA USA POWER CORD BME TYPE
2	28-0095	4	JBL RACK SCREW
3	28-0096	4	JBL RACK WASHER
4	20-0080	1	M SERIES PRODUCT BOX
5	22-0020	1	LITERATURE BAG (CLEAR PLASTIC)
6	18-0410	1	M552 OWNER'S MANUAL

Please add the letters JBL behind part numbers when ordering.

JBL M552

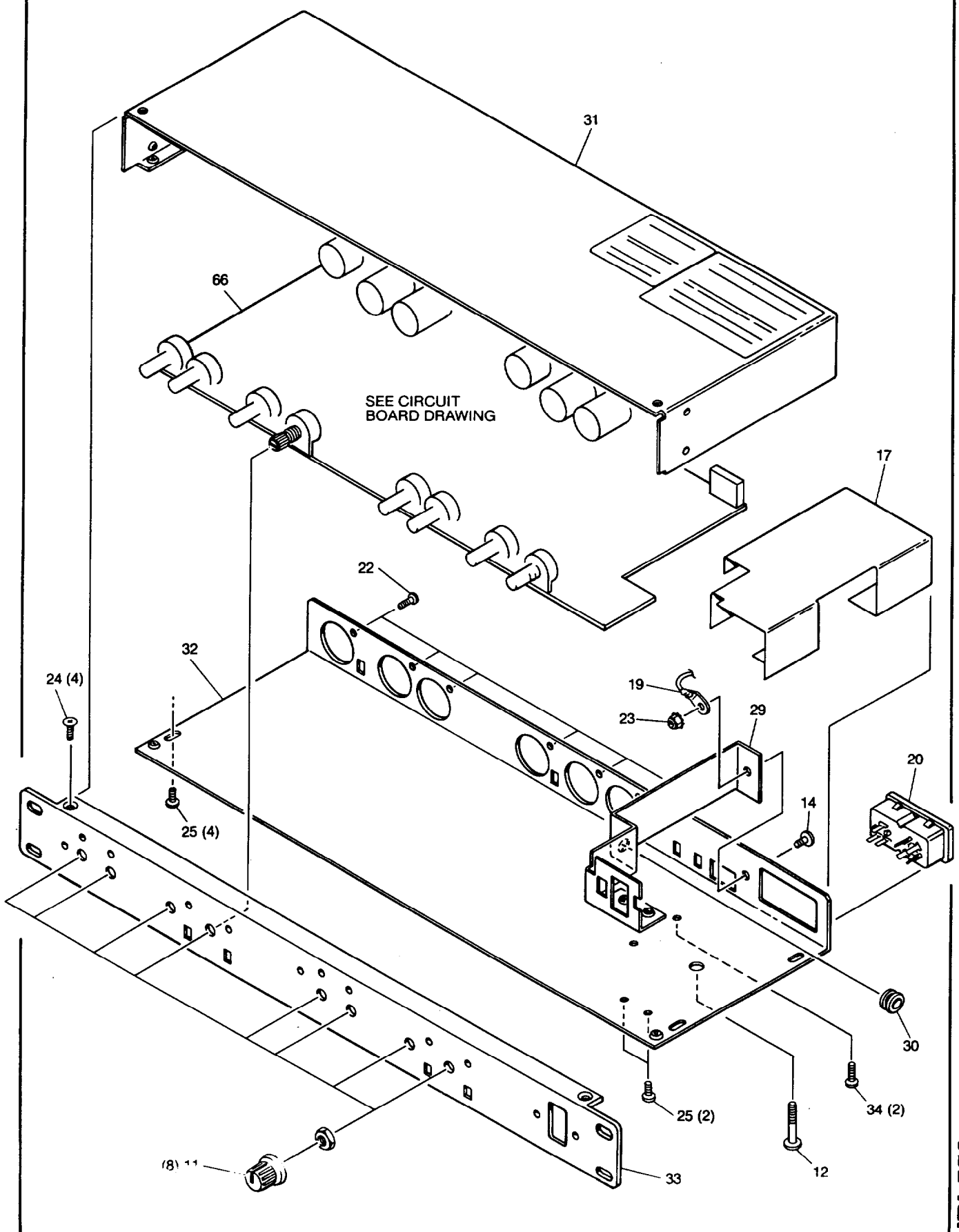
COMPONENT PARTS LIST

ITEM	PART NO.	QTY	DESCRIPTION
7	—	2	INSERT, FOAM
8	32-2082	4	.250" FASTON CONNECTOR
9	32-1075	17	SHUNT/JUMPER FOR HEADER
10	32-0002	2	FUSE 200MA 5x20MM (200-250V)
11	34-0080	8	M SERIES KNOB REAN (LW)
12	28-0076	1	10-32x1-1/4 PHIL PAN SCREW STEEL BLK
13	24-0204	1	NO. 6 INTERNAL TOOTH LOCKWASHER BLK
14	24-0055	1	6-32x1/4 SMOOTH TRUSS HD SCREW BLK
15	24-0035	1	TOROID RETAINER
16	24-0201-A	1	TOROID CUSHION
17	24-0206-A	1	PCB INSULATOR LEXAN (A/L)
18	26-0048	1	4 TAP TOROID TRANSFORMER
19	32-2103	1	NO. 6 SOLDER LUG LOCKING TERMINAL
20	32-0056	1	AC RECEPTACLE MULTI VOLTAGE (CERT)
21	28-0291	3	4-4/x1/4 PHIL PAN SCREW .250
22	28-0263	6	NO. 4x3/8 PLASTITE SCREW PHIL HEAD
23	28-0065	1	6-32 KEPS HEX NUT
24	28-0060	4	6-32x1/2 POZI FLAT TR3 BLK
25	28-0059	8	6-32x1/4 POZI PAN TR3 BLK .250
26	44-0010	1	M SERIES POWER SWITCH
27	70-2061	1	LED SMALL RED DIFFUSED T1
28	32-1090	1	M SERIES POWER LED HARNESS
29	24-0209	1	JBL OEM POWER SUPPLY SHIELD
30	24-0043-A	1	RUBBER GROMMET
31	10-2050	1	AL GENERIC TOP BLACK
32	10-1351	1	M552 CHASSIS PAINTED
33	10-1350	1	M552 FRONT PAINTED & SCREENED
34	28-0058	4	6-32x3/8 POZI PAN TR3 BLK .375
35	70-4209	1	INSULATOR FOR HS-2 HEATSINK - REV A
36	70-4200-A	1	HEATSINK SPACER ALUM
37	70-4204	1	HS-1 3REG HEATSINK TOP - REV A
38	70-4203	1	HS-2 3REG HEATSINK BASE - REV A
39	70-4124	1	7915 -15V REGULATOR T0-220 1500MA
40	70-4123	1	7815 +15V REGULATOR T0-220 1500MA
41	72-4023	4	5532 DUAL LOW NOISE OP AMP
42	34-0050	8	M SERIES MINI SWITCH CAP
43	44-0027	5	MINI IN/OUT DPDT SWITCH (6 PIN)
44	44-0022	3	MINI IN/OUT 6PDT SWITCH (18 PIN)
45	42-0211	4	TRIM POT 10K OHM HORIZONTAL 10MM
46	40-2022	2	RACK 100K QUAD POT (12 PIN) 25C TAPER
47	40-2071	6	RACK POT 2B5K 16MM
48	32-0198	4	XLR MALE PCB MOUNT REAN

ITEM	PART NO.	QTY	DESCRIPTION
49	32-0199	2	XLR FEMALE PCB MOUNT REAN
50	32-0300	1	2 POS PCB BARRIER STRIP A/L
51	72-4248	2	MC33078 DUAL OP-AMP
52	72-4068	2	5534 LOW NOISE OP AMP
53	72-4024	1	4558 DUAL LOW NOISE OP AMP
54	72-4248	11	MC33078 DUAL OP-AMP
55	70-1009	2	2N4124 NPN TRANSISTOR
56	32-1069	1	5 PIN HEADER STRAIGHT PIN
57	32-1067	1	14 PIN HEADER STRAIGHT PIN
58	32-1071	1	5 PIN LOCKING HEADER
59	60-0063	2	1000 UF 35V 13x28 BODY
60	60-0055	12	100 UF 25V 8x11 BODY
61	60-0063-01	7	15 NP 16V DOG LEG 5x11 BODY
62	60-0050-01	4	10 UF 25V DOG LEG 5x7 BODY
63	60-0054-01	8	47 UF 16V DOG LEG 6x11 BODY
64	70-0129	1	D-101 BRIDGE RECTIFIER (100V)
65	70-3020	6	8 PIN DIP SOCKET
66	80-4034-C	1	X34/M552 MAIN PCB
67	28-1012	9	1 POSITION LED SPACER
68	38-0105	1	"AF" HARNESS 12 PIN 5 INCH
69	70-2066	1	LED SMALL YELLOW DIFFUSED T1
70	70-2062	2	LED SMALL GREEN DIFFUSED T1
71	70-2061	6	LED SMALL RED DIFFUSED T1
72	80-4033-C	1	X34/M552 FRONT PCB
73			
74			
75			
76			
77			
78			
79			
80			
81			
82			
83			
84			
85			
86			
87			
88			
89			
90			

JBL M552

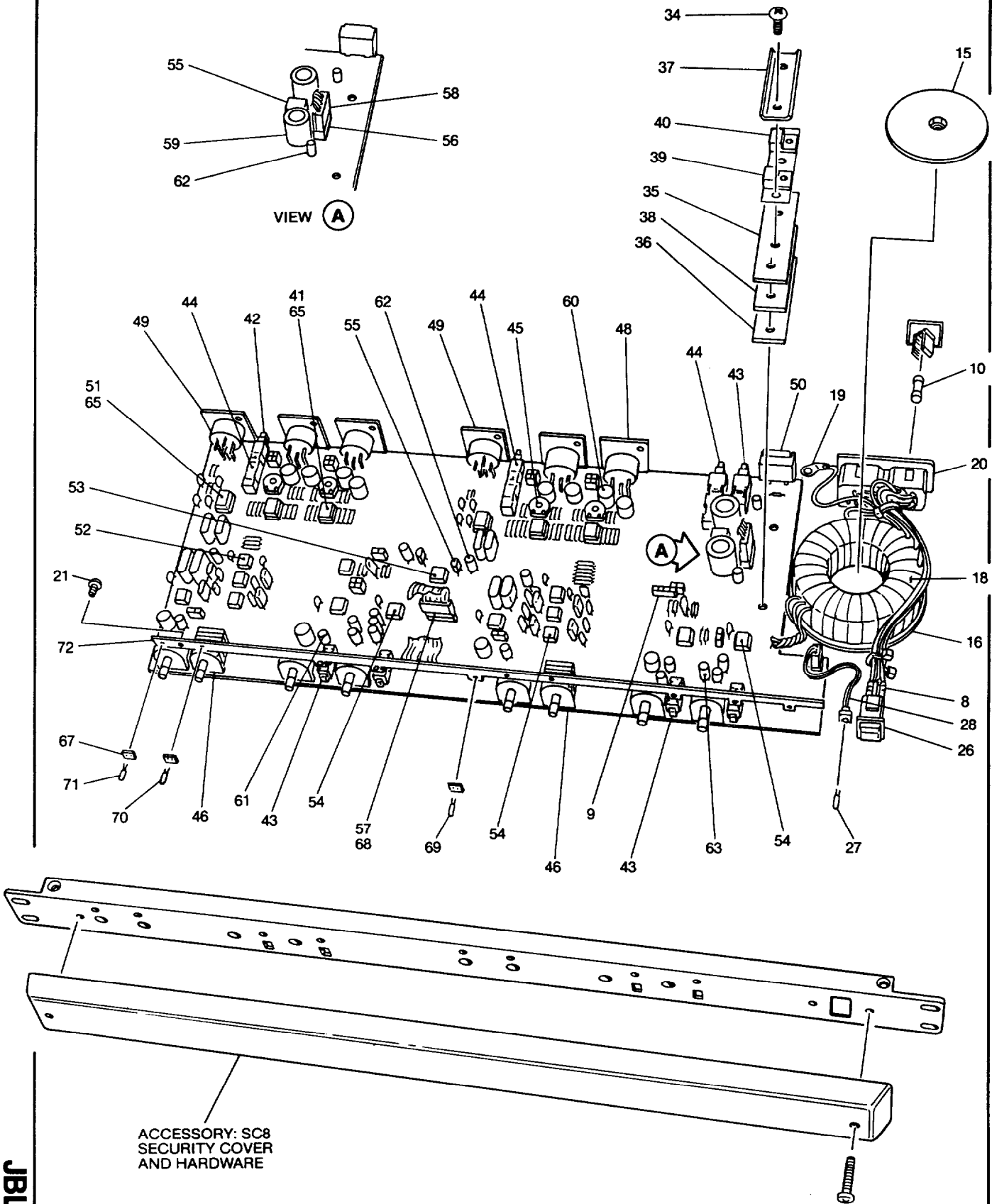
COMPONENT EXPLODED VIEW



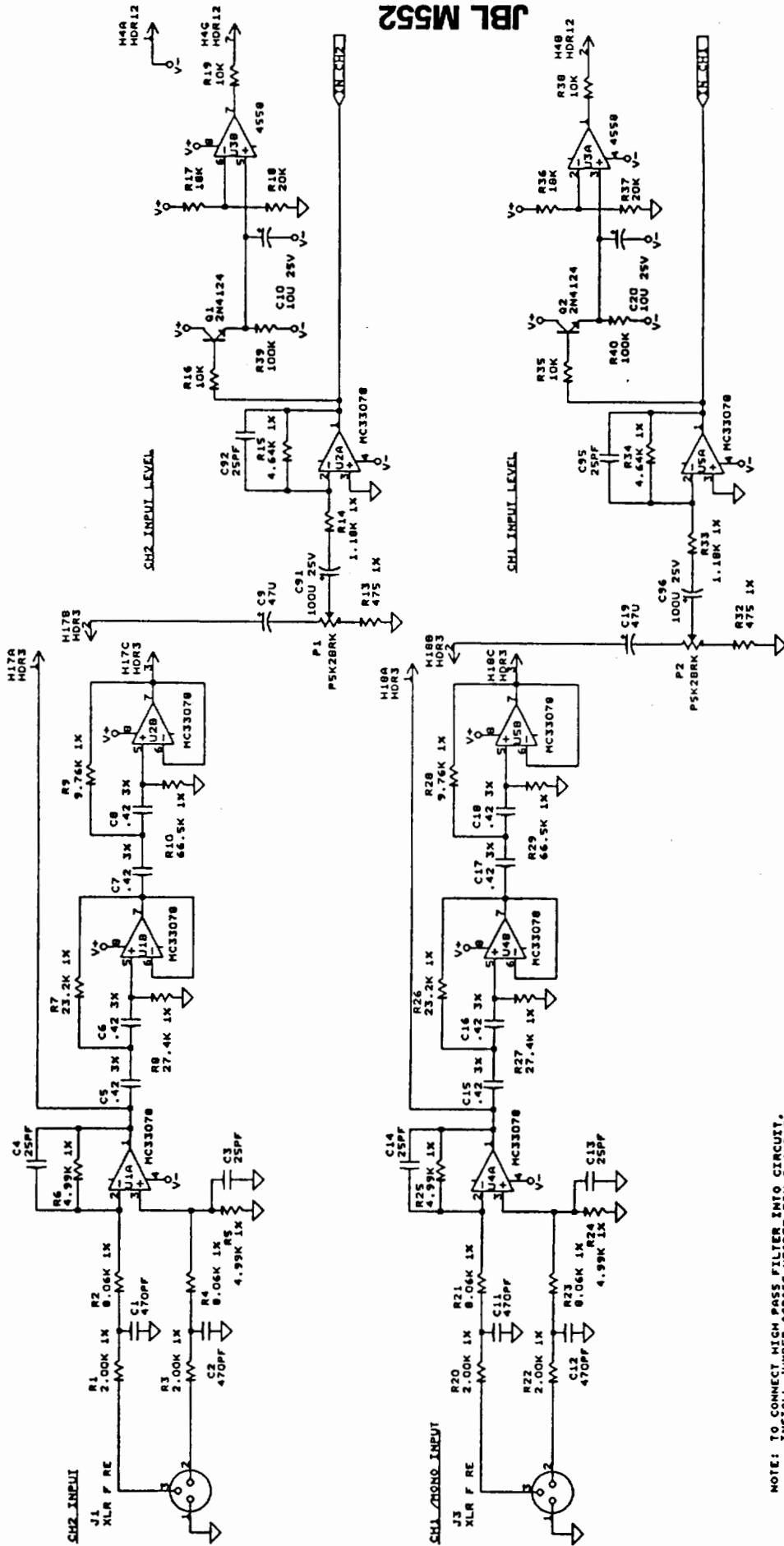
JBL552

JBL M552

CIRCUIT BOARD

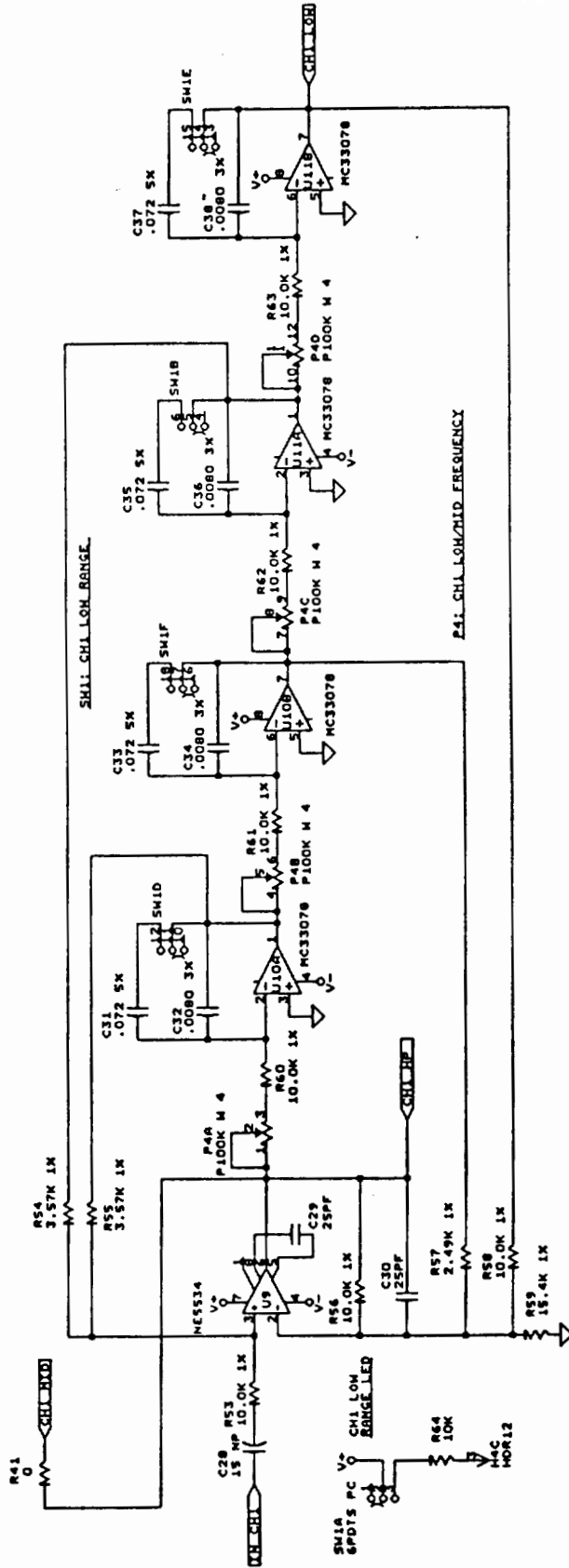


JBL M552

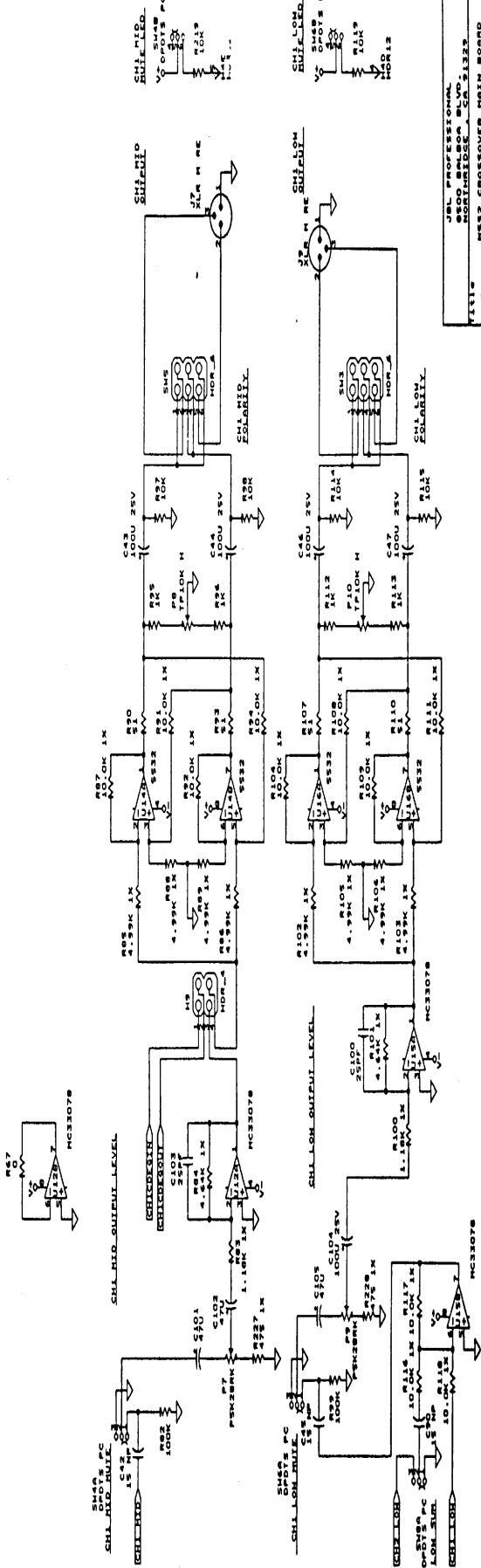


NOTE: TO CONNECT HIGH PASS FILTER INTO CIRCUIT, INSTALL JUMPER ACROSS HEADER PIN 2 AND 3. TO BYPASS HIGH PASS FILTER, INSTALL JUMPER ACROSS HEADER PIN 1 AND 2.

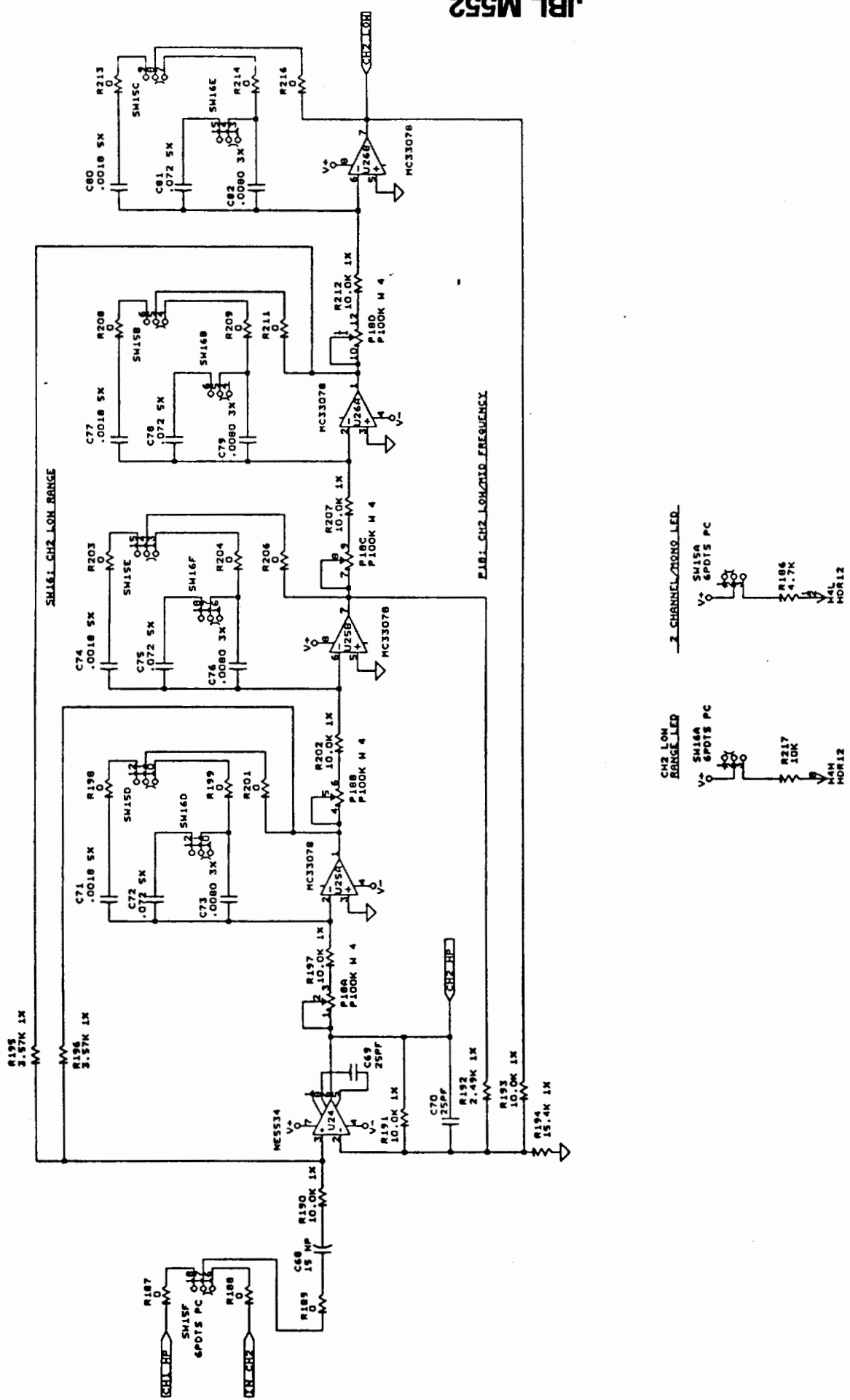
JBL PROFESSIONAL 9500 BALBOA BLVD. MORRISTOWN, NJ 07970	
File	M552 CROSSOVER MAIN BOARD
Size	MS52001.SCH
Doc	0
Date	JANUARY 21, 1992



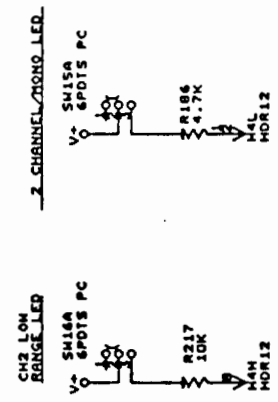
JBL PROFESSIONAL	
6500 BALBOA BLVD.	
MORTMIDGE, CA 91323	
TITLE	M552 CROSSOVER MAIN BOARD
SHEET NUMBER	M552C002.SCH
REV	CO
DATE	JANUARY 21, 1977

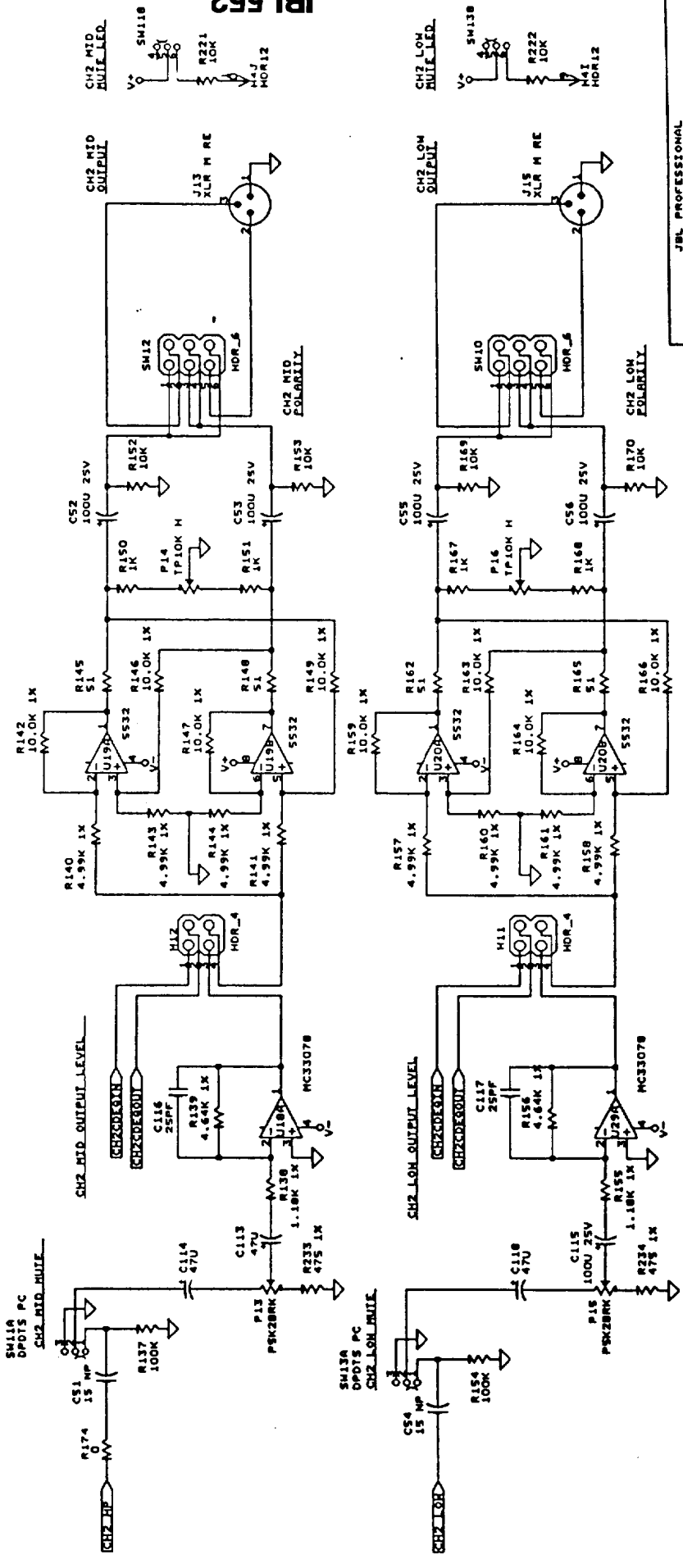
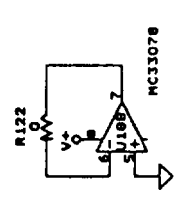


JBL PROFESSIONAL
 MODEL NUMBER 552
 PART NUMBER 552-0000-0000
 SEE PREVIOUS EDITIONS FOR REVISIONS



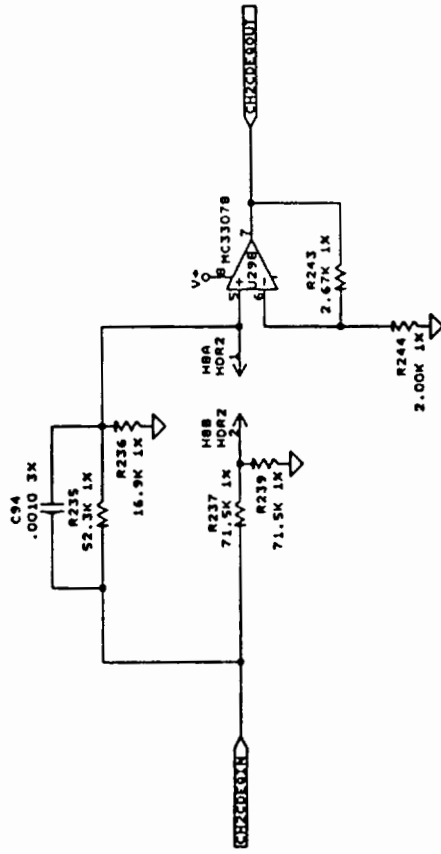
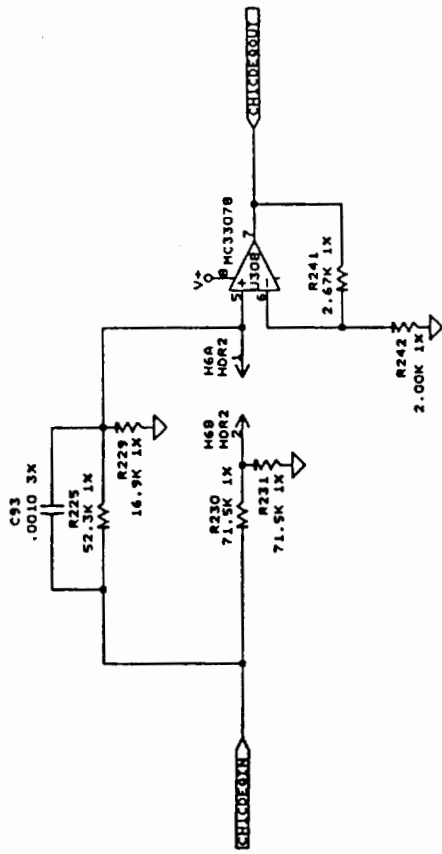
JBL PROFESSIONAL 9500 BALBOA BLVD. NORTHBRIDGE, CA 91329	
TITLE	M552 CROSSOVER MAIN BOARD
SIZE DOCUMENT NUMBER	M552C004.SCH
REV	CO
DATE	JANUARY 21, 1992 BSK





JBL PROFESSIONAL
 8500 BALBOA BLVD.
 NORTHBRIDGE, CA 91329

Part # MS52 CROSSOVER MAIN BOARD
 REV B
 Schematic Number: MSSIC005.SCH
 Date: January 21, 1977
 REV CC



JBL PROFESSIONAL 9500 BALBOA BLVD. NORTHBRIDGE, CA 91329	
Title	M552 CROSSOVER MAIN BOARD
Schematic Number	M552C006.SCH
REV	CO
Date	JANUARY 11, 1977
Page	6 of 7

