

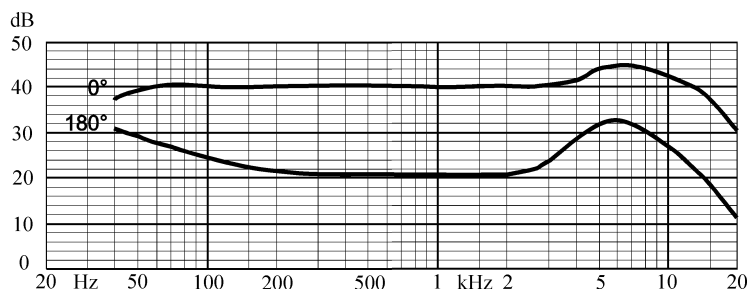
True to the original impression. Clear as crystal with lots of potential for vocal as well as instrumental applications.

- **Cardioid**
- **Transformerless**
- **Line level option (LL)**
- **48 V phantom**

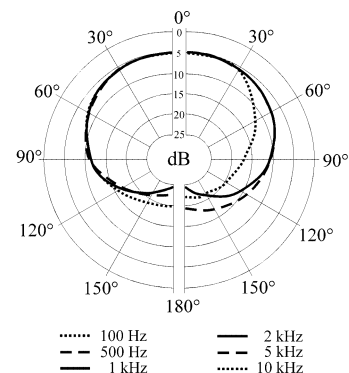
	LC-25	LC-25LL
Frequency response (see graph)	40 - 20 000 Hz	40 - 20 000 Hz
Polar pattern	Cardioid	Cardioid
Max. SPL (1% THD at 1 kHz)	128 dB	128 dB
Sensitivity at 1 kHz	6 mV / Pa \pm 1 dB (1 k Ω load)	300 mV / Pa \pm 1dB (10 k Ω load)
A-weighted noise level(IEC 179-A)	20 dB	20 dB
Power supply	48 V \pm 4 V phantom	48 V \pm 4 V phantom
Current consumption	3.5 mA	3.5 mA
Output impedance	< 200 Ω	< 400 Ω
Minimum load impedance	1 k Ω	10 k Ω
Connection	3-pin XLR pin 1: earth (Shield) pin 2: plus (Hot) pin 3: minus (Cold)	3-pin XLR pin 1: earth (Shield) pin 2: plus (Hot) pin 3: minus (Cold)
Net weight	320 g	320 g
Lenght	185 mm	185 mm
Diameter	27/50 mm	27/50 mm

Frequency response (at 1m distance)

The frequency response may vary within $\pm 2,5$ dB of the published graph.
Before delivery, each microphone is measured and accompanied with it's own graph.



Polar diagram



Milab Microphones AB

Mailing address
P. O. Box 1342
S-251 13 HELSINGBORG
SWEDEN

Office address
Norra Strandgatan 4

Phone
+46 42 381620

Fax
+46 42 136350

E-mail
milab@milabmic.com
Internet
www.milabmic.com