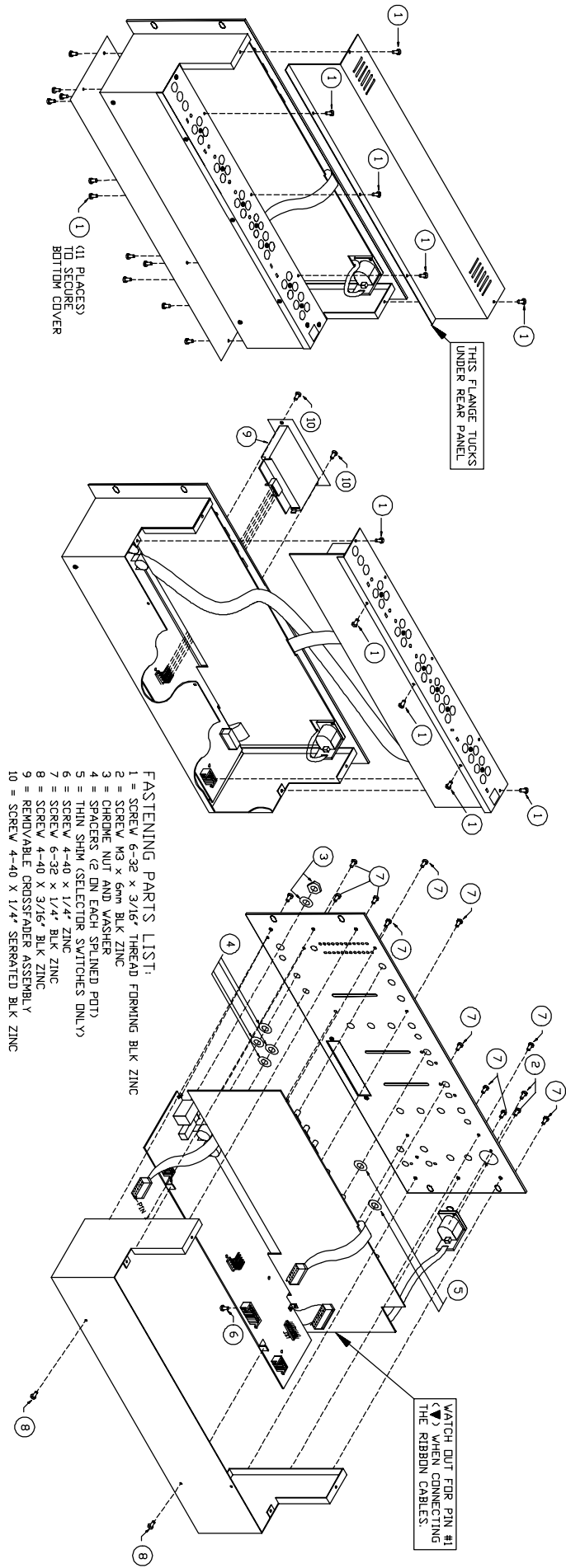
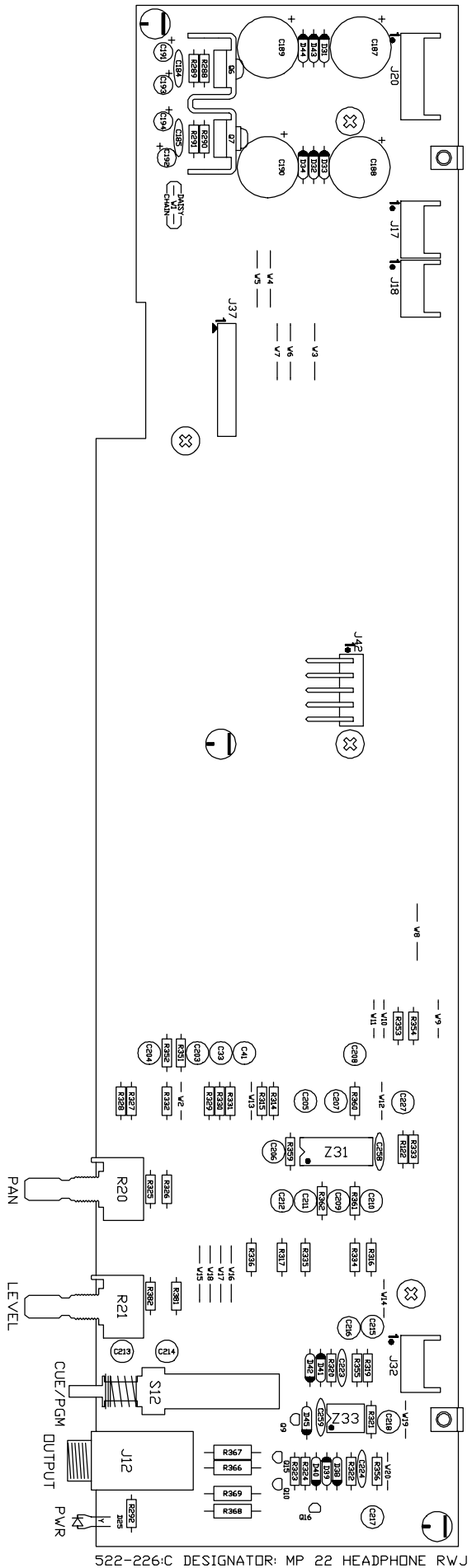


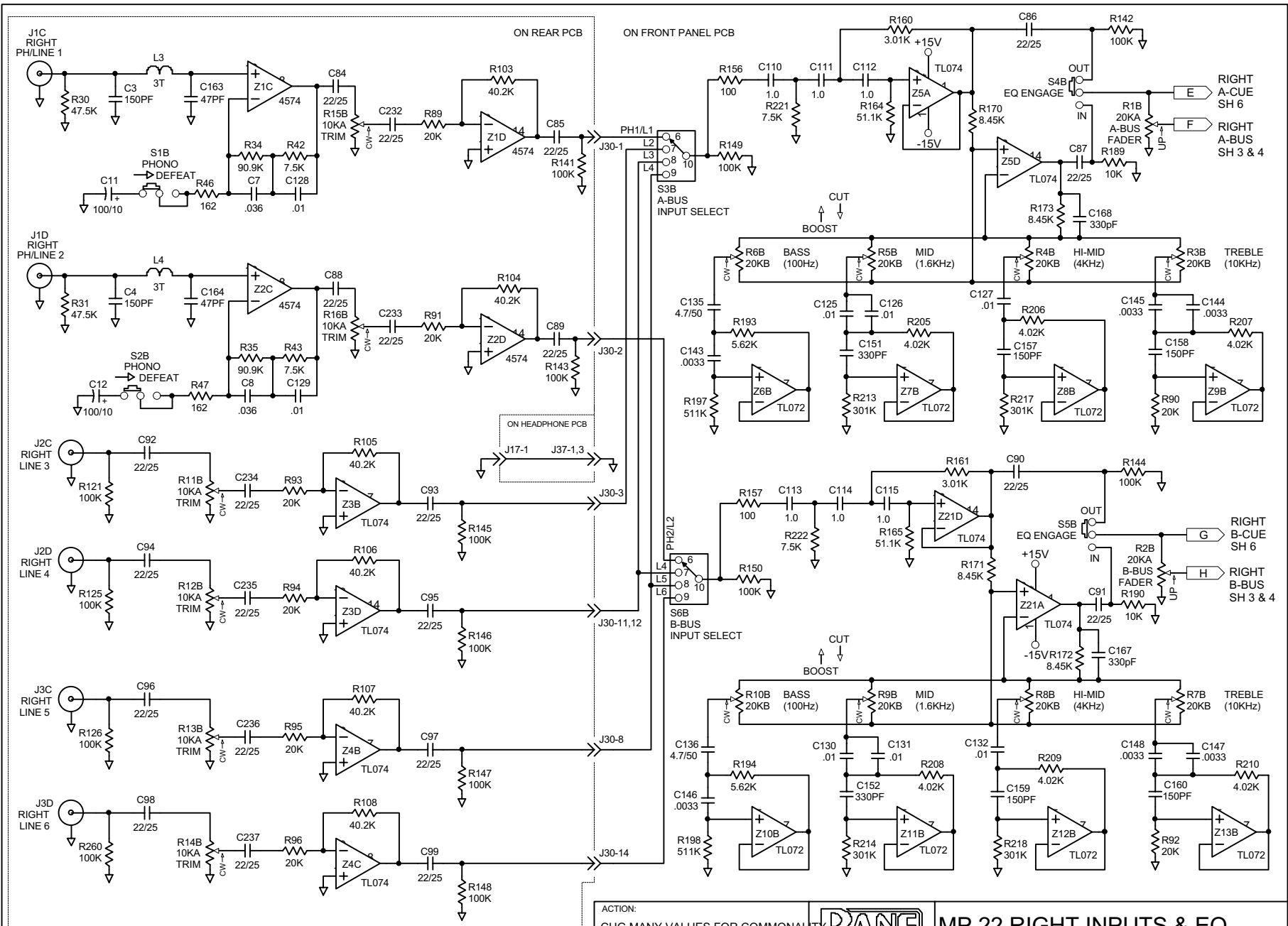
522-224E DESIGNATOR: MP 22 FRONT/REAR/XFADER ACTION; ADDED C267 TO THE FRONT PCB, MOVED SOME PARTS FOR IMPROVED R.I. MARKED (3) CAPS OMIT. RJT 5NOV96



- FASTENING PARTS LIST:**
- 1 = SCREW 6-32 x 3/16" THREAD FORMING BLK ZINC
 - 2 = SCREW M3 x 6mm BLK ZINC
 - 3 = CHROME NUT AND WASHER
 - 4 = SPACERS (2 ON EACH SPLINED POT)
 - 5 = THIN SHIM (SELECTOR SWITCHES ONLY)
 - 6 = SCREW 4-40 x 1/4" ZINC
 - 7 = SCREW 6-32 x 3/16" BLK ZINC
 - 8 = SCREW 4-40 x 3/16" BLK ZINC
 - 9 = REMOVABLE CROSSFADER ASSEMBLY
 - 10 = SCREW 4-40 x 1/4" SERRATED BLK ZINC

Schematic-2





SEE NOTES ON 521-259 SH 1

H:\MP22\521-355.SCH

12-Feb-1997

ACTION:
CHG MANY VALUES FOR COMMONALTY



MP 22 RIGHT INPUTS & EQ

DRAWN:
S.Headrick

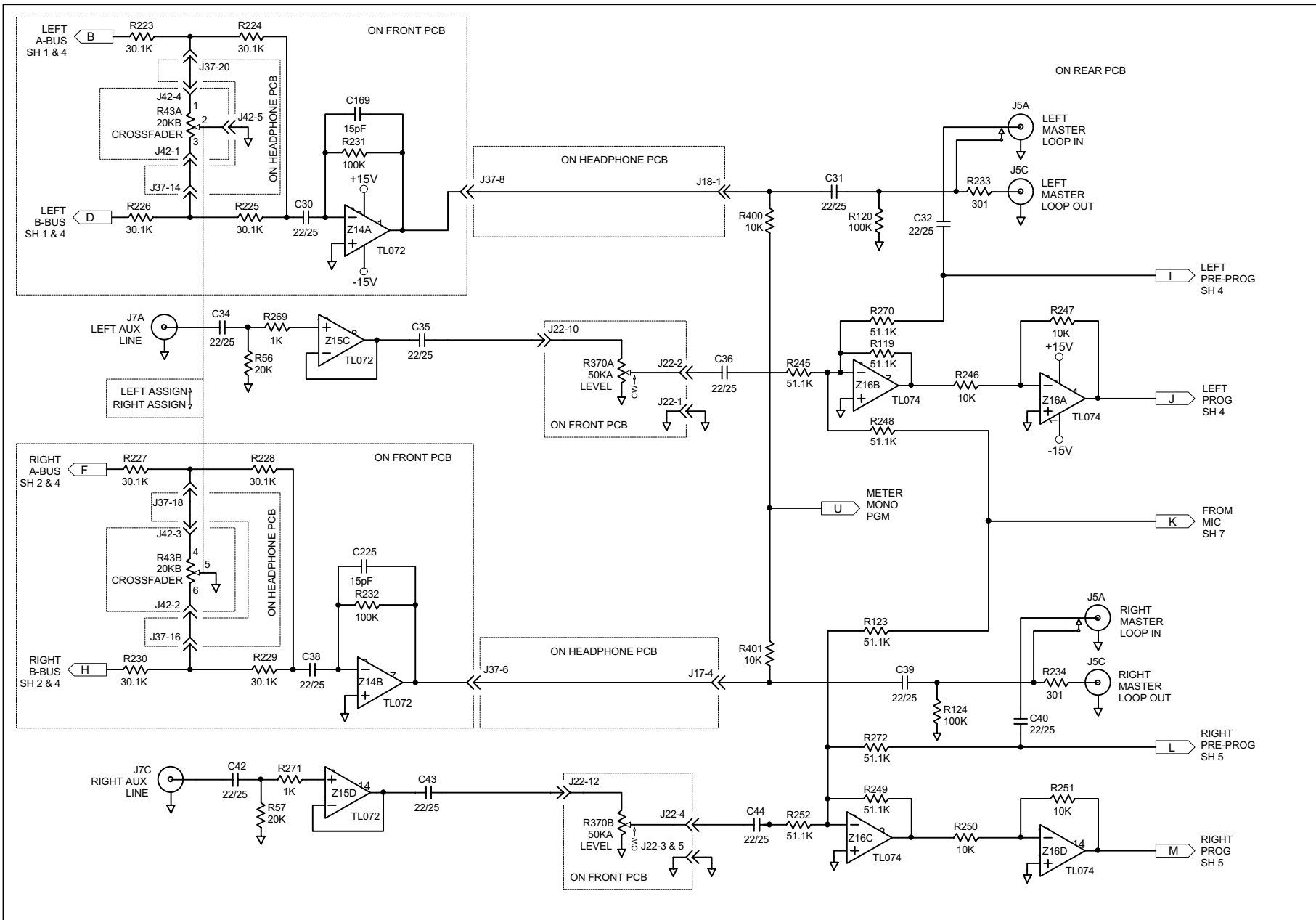
CHECKED:
R.Harrison

10802 47th Avenue West
Mukilteo WA 98275-5098

SHEET:
2 of 7

521-355

A



SEE NOTES ON 521-259 SH 1

ACTION:
CHG MANY VALUES FOR COMMONALITY



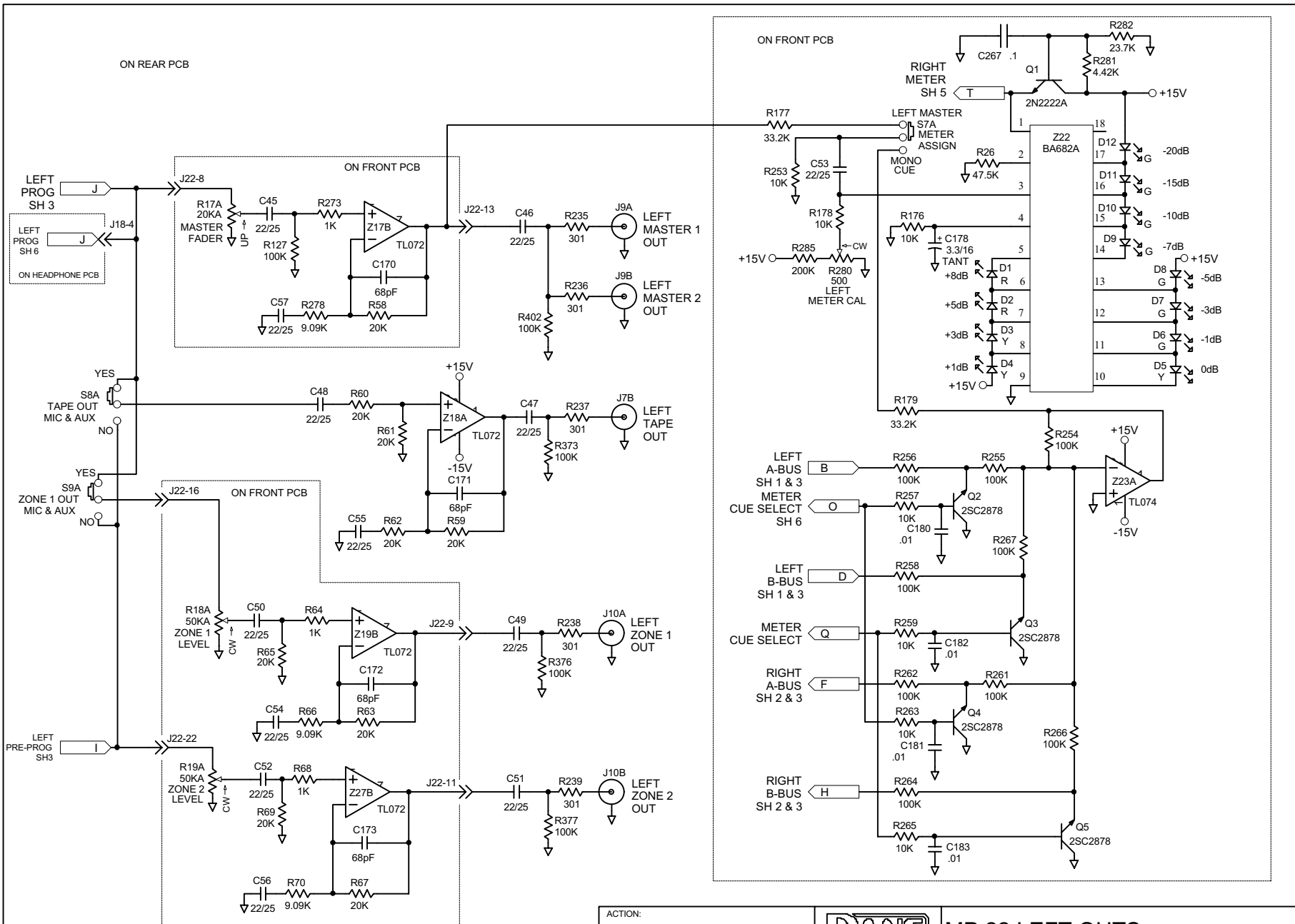
MP 22 LFT & RGT AUX INPUTS

10802 47th Avenue West
Mukilteo WA 98275-5098

SHEET:
3 of 7

521-356

A



SEE NOTES ON 521-259 SH 1

ACTION:
ADDED C267

DRAWN:
S. Headrick

CHECKED:
R. Harrison



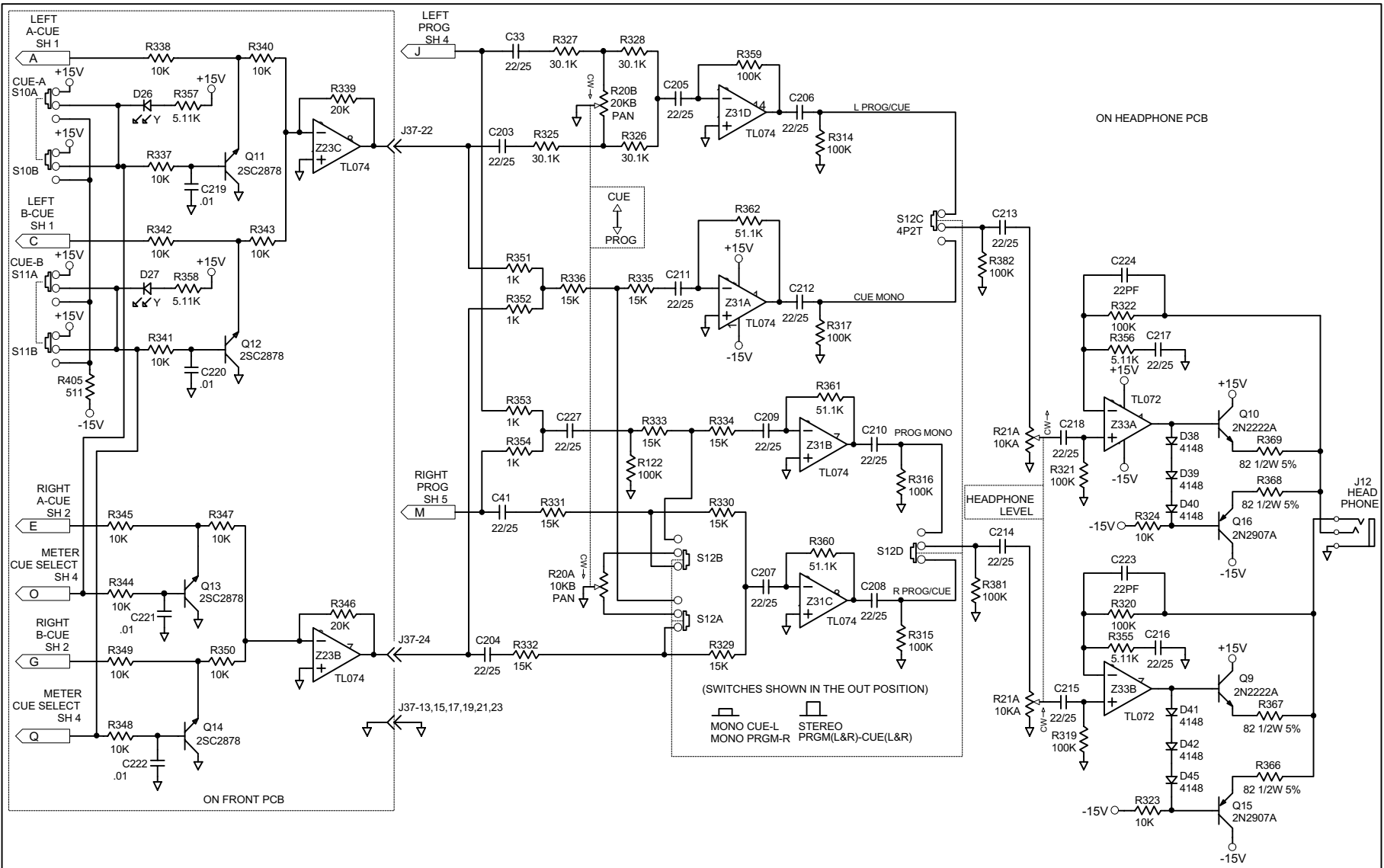
10802 47th Avenue West
Mukilteo WA 98275-5098

MP 22 LEFT OUTS

SHEET:
4 of 7

521-357

B



SEE NOTES ON 521-259 SH 1

ACTION:
CHG MANY VALUES FOR COMMONALITY



MP 22 HEADPHONE CIRCUITS

DRAWN:
S. Headrick

CHECKED:
R. Harrison

10802 47th Avenue West
Mukilteo WA 98275-5098

SHEET:
6 of 7

521-359

A

